

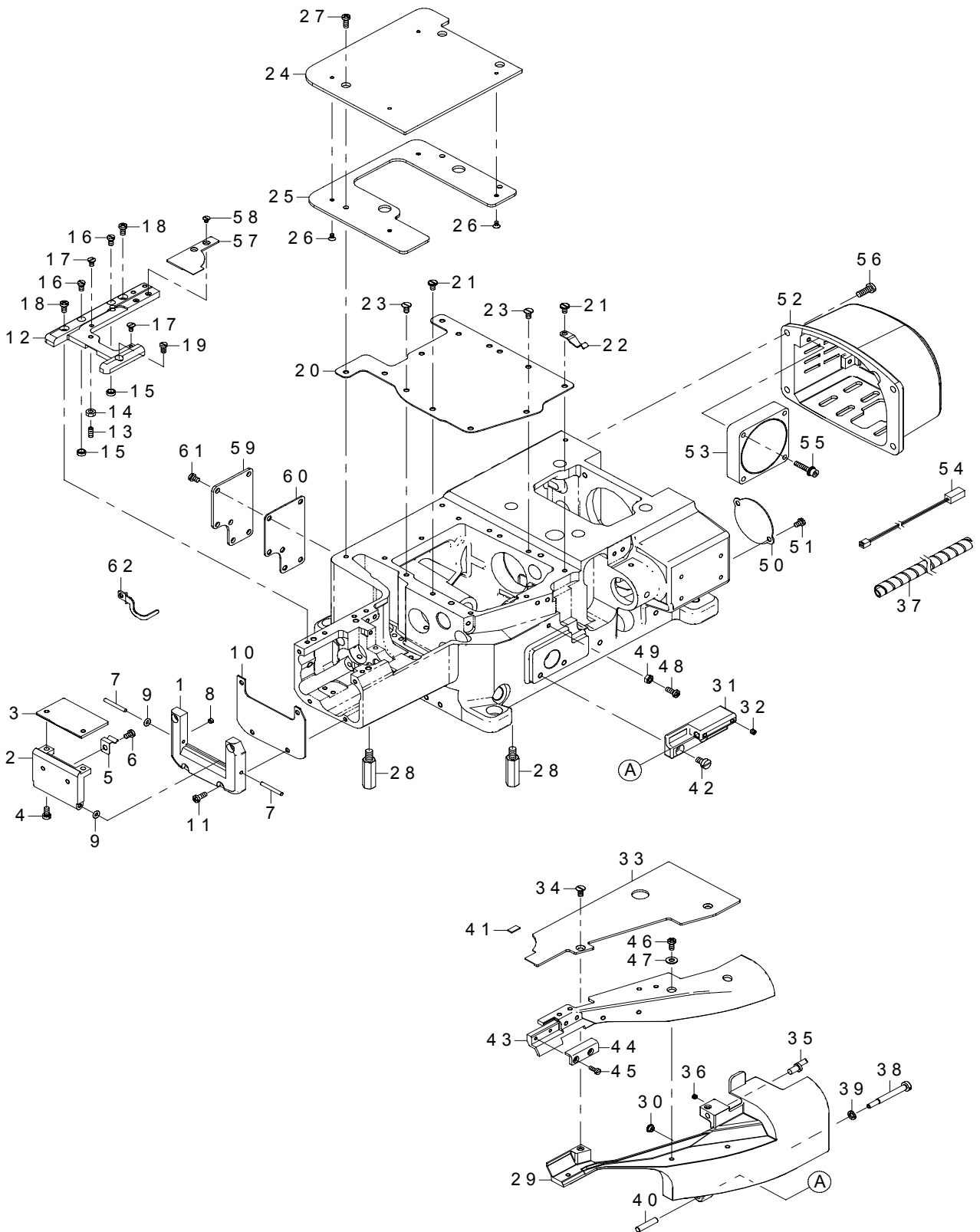
PARTS LIST

MF-7900(D)/UT55,56,57 PARTS LIST

ALL PARTS NOT MENTIONED IN THIS PARTS LIST ARE SAME AS THOSE OF MODEL MF-7900 OTHER PARTS LIST RELATED TO THIS MODEL.

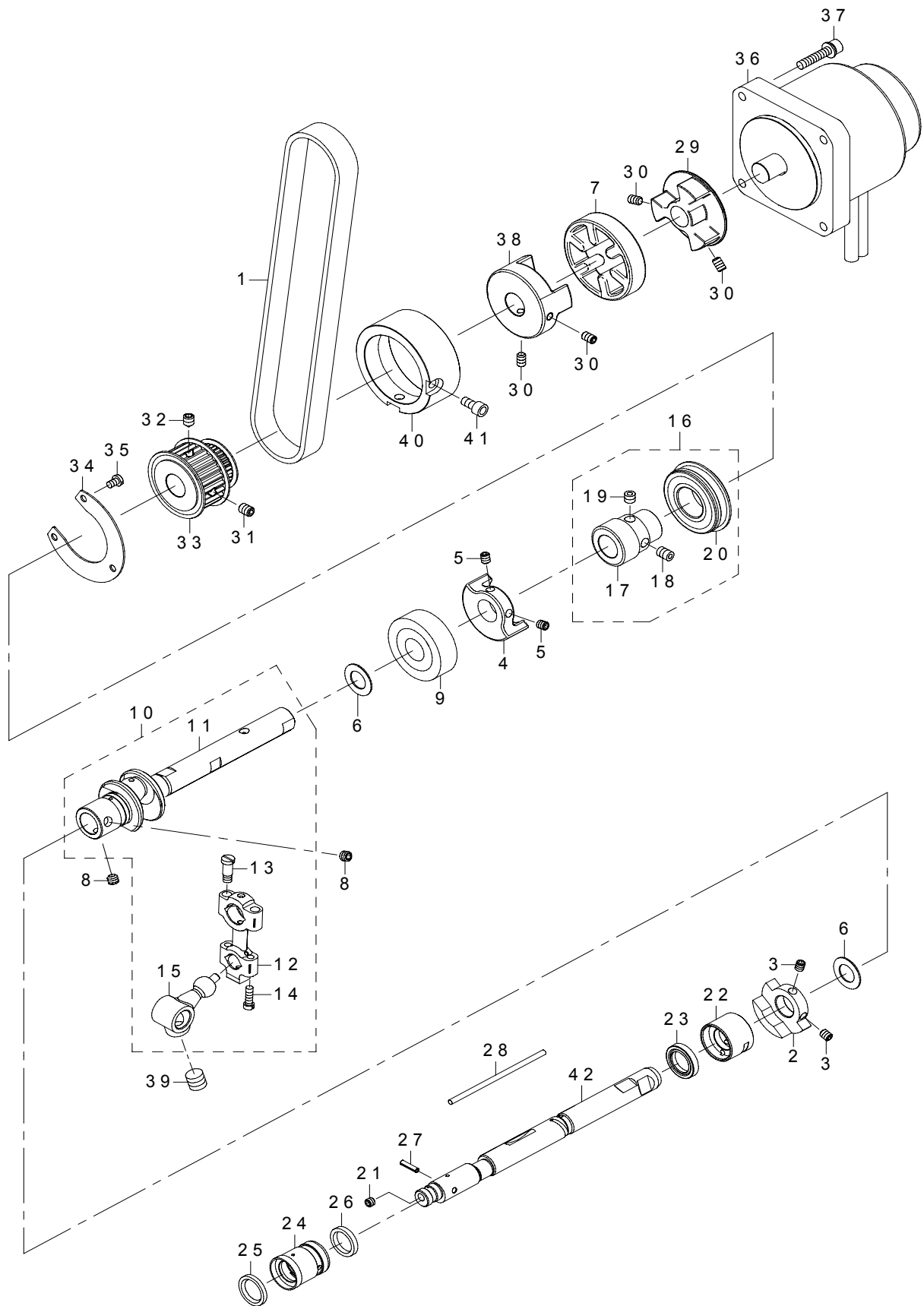
* MF-7900 SERIES (NO.1599 PART NO.70002009)

1. MISCELLANEOUS COVER COMPONENTS



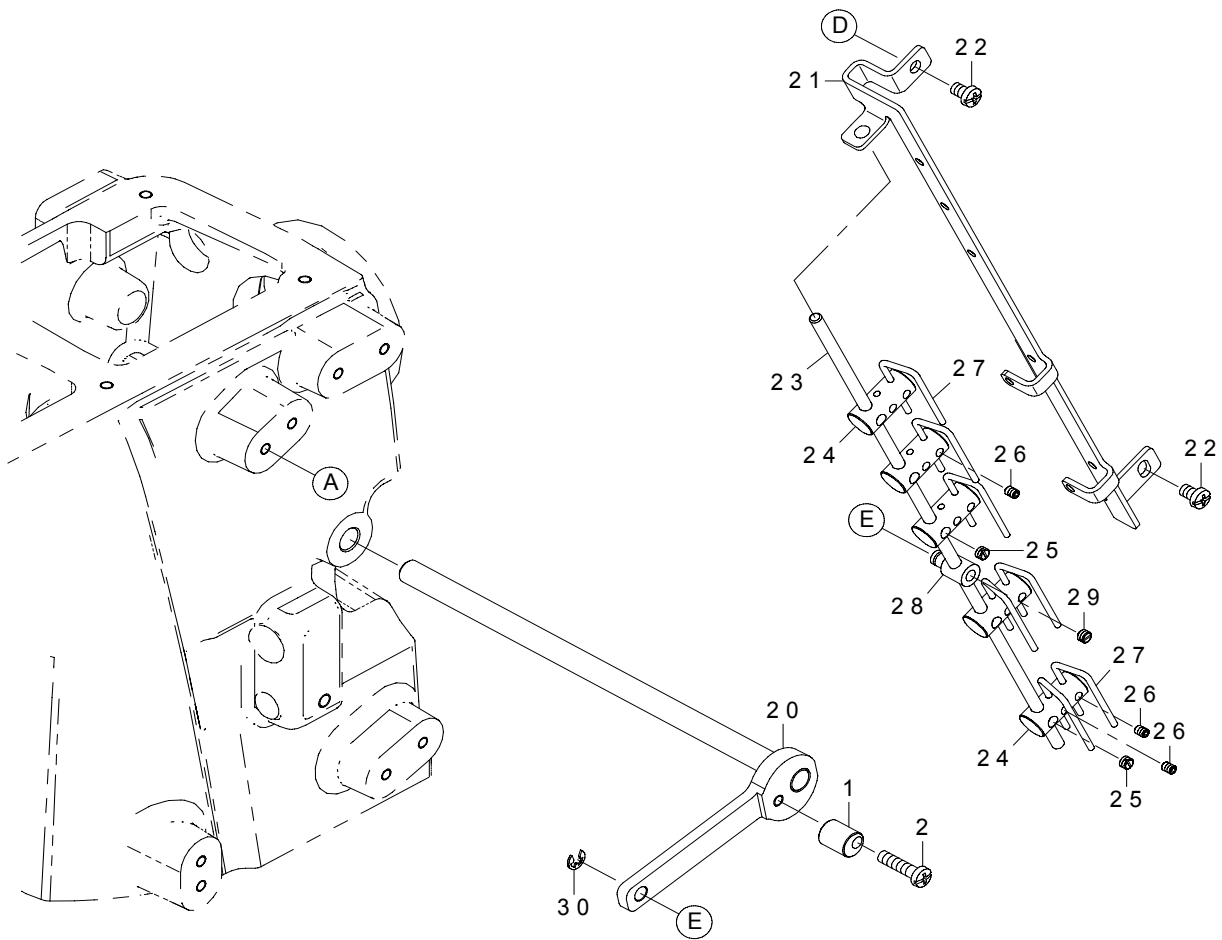
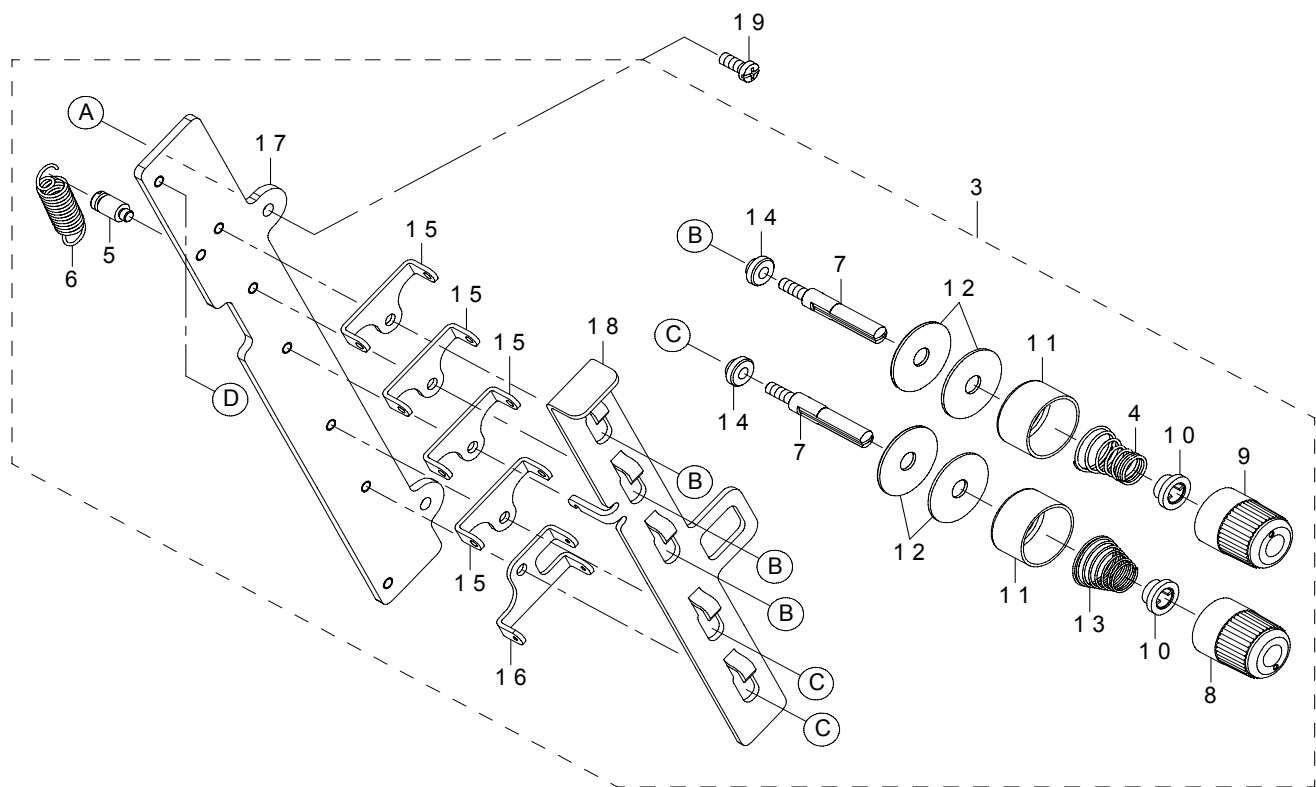
REF.NO	NOTE	PART NO	DESCRIPTION	Qty
1		700-01657	CYLINDER COVER	1
2		700-01655	SIDE COVER BOTTOM	1
3		700-01653	SIDE COVER UPPER	1
4		SM-6040800-SP	SCREW	2
5		134-01906	LATCH SPRING 2	1
6		SM-4040655-SP	SCREW M4 L=6	1
7		PH-0300252-C0	PARALLEL PIN TYPE B 3X25	2
8		SM-8040360-TP	SCREW	2
9		RO-0371801-00	O-RING	2
10		700-01661	GASKET	1
11		SM-4041055-SP	SCREW	4
12		700-01667	THROAT PLATE SUPPORT	1
13		SM-8041012-TP	SCREW M4 L=10	1
14		NM-6040000-SN	NUT M4	1
15		400-82196	ADJUSTING COLLAR	2
16		SM-6040750-TP	SCREW M4 L=7	2
17		133-02203	SCREW	2
18		SM-4040855-SP	SCREW	2
19		SM-6040750-TP	SCREW M4 L=7	1
20		700-01663	GASKET B	1
21		SM-6040800-SP	SCREW	6
22		134-02003	LATCH SPRING	1
23		SM-1040860-SP	SCREW	4
24		700-01668	CLOTH PLATE REAR	1
25		700-01670	CLOTH PLATE REAR LOWER	1
26		SM-1030501-SN	SCREW	2
27		SM-4041055-SP	SCREW	3
28		133-01809	SUPPORT STUD	4
29		700-01650	SWING DOWN COVER	1
30		133-02302	RUBBER BUMPER	1
31		700-01648	HINGE	1
32		SM-8040412-TP	SCREW M4X4	2
33		700-01671	CLOTH PLATE FRONT	1
34		SM-1040800-SP	SCREW	2
35		134-02706	PIN FOR COVER	1
36		SM-8040360-TP	SCREW	1
37		HX-0031400-0D	SPIRAL TUBE	0.7
38		700-01414	SCREW	1
39		WS-0510002-KP	SPRING WASHER 5.1X9.2X1.3	1
40		134-09800	DIFF LINK PIN	1
41		134-03605	RUBBER PLATE	1
42		SM-6050800-SP	SCREW M5 L=8	2
43		700-01652	BRACKET	1
44		700-01678	BRACKET	1
45		SM-6030800-SP	SCREW M3X0.5 L=8	2
46		SM-4040855-SP	SCREW	2
47		WP-0450801-SC	WASHER 4.5X10X0.8	2
48		SM-4041055-SP	SCREW	1
49		NM-6040001-SC	NUT M4X0.7 TYPE1	1
50		700-01673	LOOPER THD COVER	1
51		SM-4040655-SP	SCREW M4 L=6	2
52		700-01413	MOTOR COVER	1
53		401-19461	HEAD FAN MOTOR A ASSY	1
54		700-01457	FAN CORD ASSY	1
55		SL-6042092-TN	SCREW M4 L=20	2
56		SM-4051455-SP	SCREW M5 L=14	4
57		700-01645	THROAT PLATE SUPPORT COVER	1
58		SM-1030400-SP	SCREW M3 L=4	2
59		700-01642	COVER FOR FEED ADJUST	1
60		700-01643	COVER FOR FEED ADJUST PACKING	1
61		SM-4040855-SP	SCREW	6
62		700-01484	FINGER GUARD	1

2. LOWER SHAFT COMPONENTS



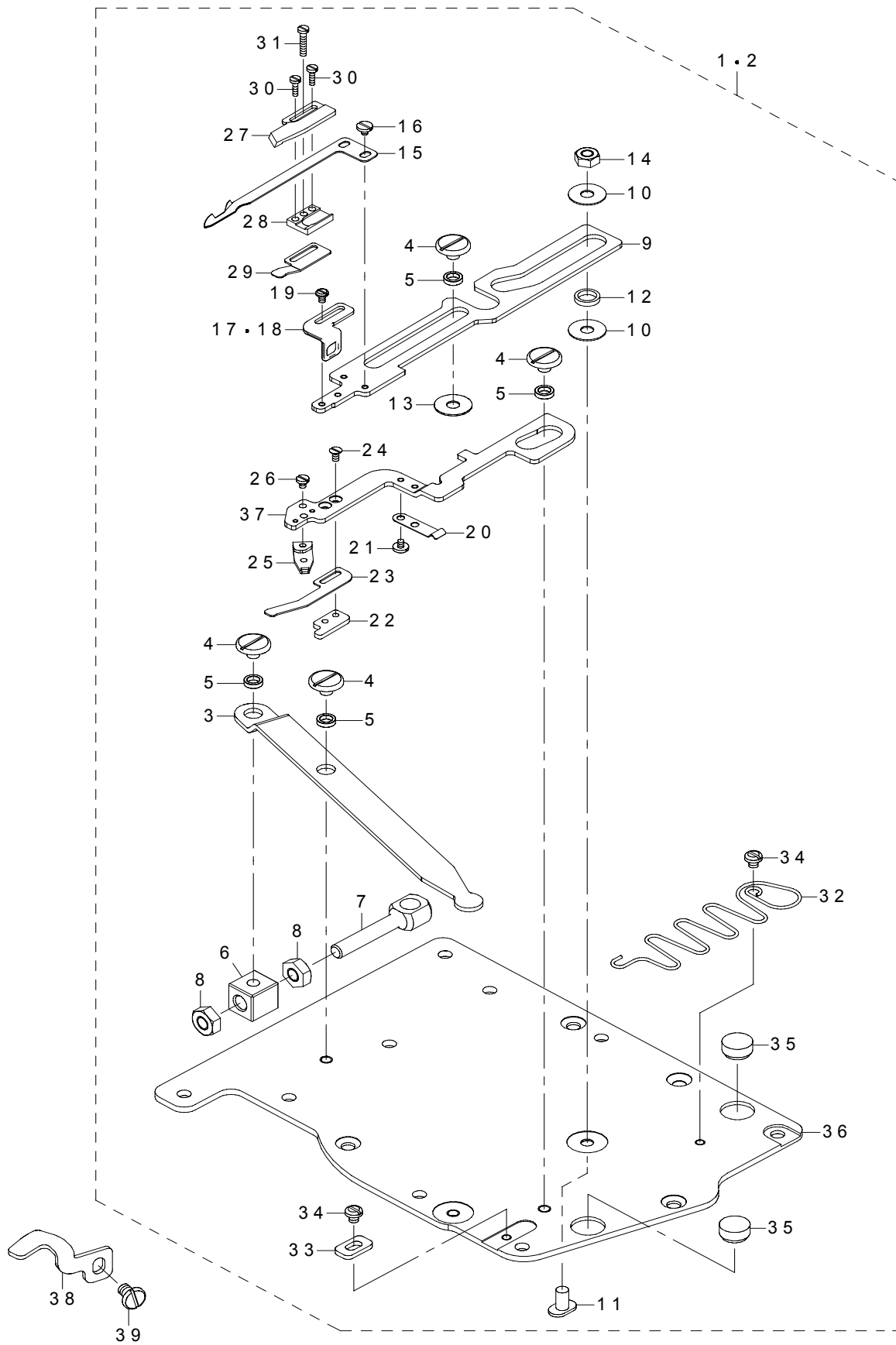
REF.NO	NOTE	PART NO	DESCRIPTION	Qty
1		134-06905	TIMING BELT	1
2		134-08406	BALANCE WEIGHT LMS 1	1
3		SM-8050612-TP	SCREW M5X6	2
4		134-08505	BALANCE WEIGHT LMS 2	1
5		SM-8050612-TP	SCREW M5X6	2
6		400-17824	LOOPER LOD STOPPER	2
7		401-12107	SPIDER	1
8		SM-8060552-TP	SCREW M6 L=5	2
9		SB-1150023-00	BEARING	1
10		700-01692	LMS RIGHT ROD ASSY	1
11		700-01684	LMS RIGHT	(1)
12		700-01685	LOOPER ROD	(1)
13		SD-0550906-TP	SHOULDER SCREW D=5.5 H=9	(2)
14		133-24108	SCREW	(2)
15		700-01686	CRANK	(1)
16		700-03278	LMS WORM ASSY	1
17		133-08507	COUPLING D	(1)
18		SM-8060552-TP	SCREW M6 L=5	(2)
19		SM-8060842-TP	SCREW M6 L=8	(1)
20		700-01458	BEARING	(1)
21		SM-8050412-TP	SCREW M5 L=4	1
22		700-01682	BUSHING LMS MIDDLE	1
23		134-08703	OIL SEAL	1
24		700-01683	BUSHING LMS LEFT	1
25		134-07903	OIL SEAL	1
26		134-08604	FELT LMS LEFT BUSH	1
27		PS-0300122-KH	SPRING PIN 3X12	1
28		CQ-3000000-01	COTTON OIL WICK D=3	0.075
29		401-12106	HUB R	1
30		SM-8050412-TP	SCREW M5 L=4	4
31		SM-8060812-TP	SCREW M6 L=8	1
32		SM-8060842-TP	SCREW M6 L=8	1
33		700-04184	LMS SPROCKET	1
34		700-01451	THRUST PLATE	1
35		SM-4040655-SP	SCREW M4 L=6	3
36		401-18009	SERVO MOTOR	1
37		SL-6052592-TN	SCREW M5 L=25	4
38		401-12105	HUB L	1
39		SM-8550952-TP	SCREW	1
40		700-03317	FLY_WHEEL_FOR_DD	1
41		SM-6051002-TP	SCREW M5X0.8 L=10	2
42		700-01681	LOWER MAINSHAFT LEFT	1

3. THREAD TENSION COMPONENTS



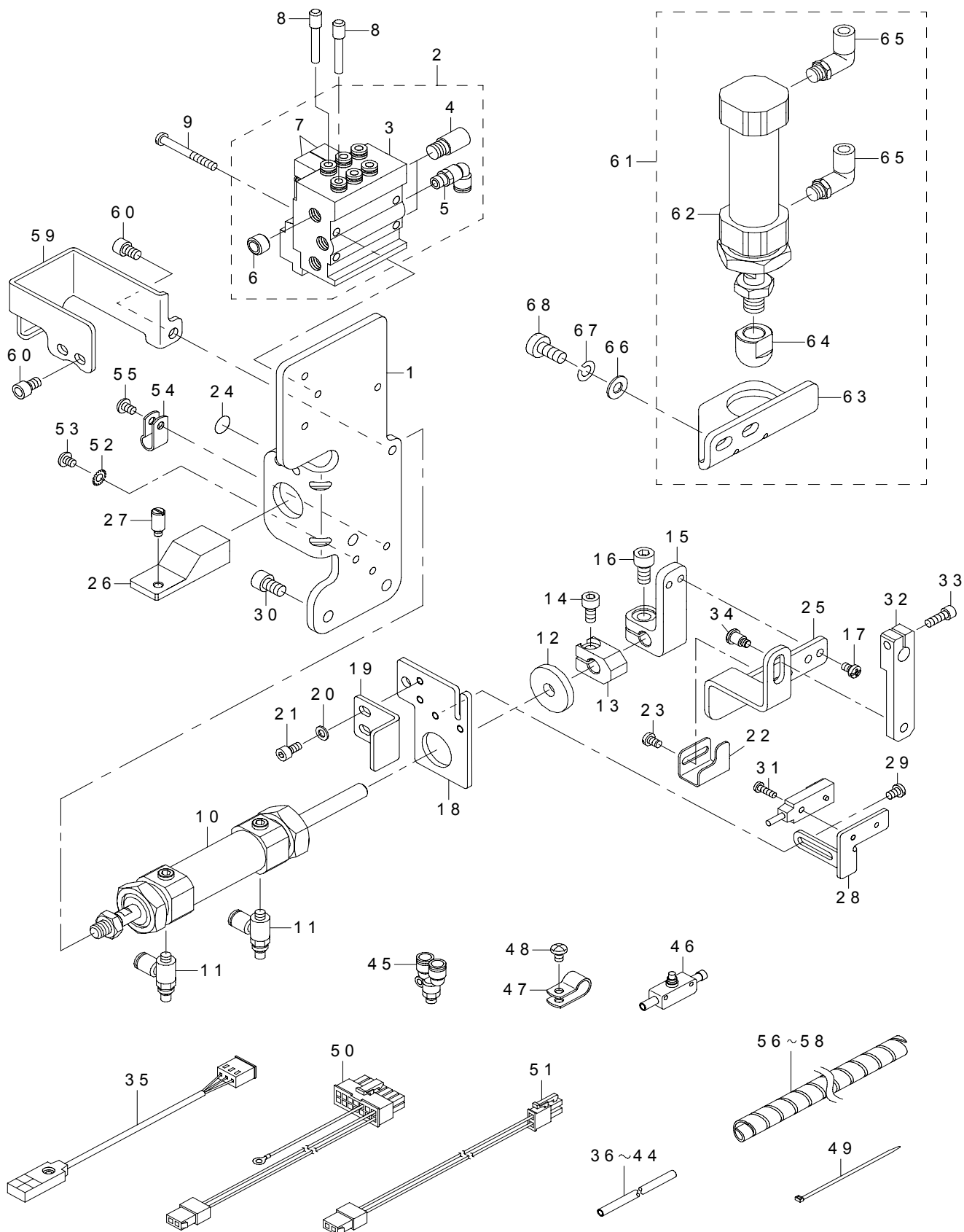
REF.NO	NOTE	PART NO	DESCRIPTION	Qty
1		400-65785	TENS RELEASE ADJ ECC	1
2		SM-4041655-SP	SCREW M4 L=16	1
3		700-01612	THREAD TENSION ASSY	1
4		131-40504	TENSION SPRING	(3)
5		133-40302	SHOULDER SCREW	(1)
6		260-19000	THREAD TENSION SPRING	(1)
7		700-01620	TENSION POST	(5)
8		400-42363	KNOB	(2)
9		400-42364	KNOB GREEN	(3)
10		400-42365	SPRING BUSHING	(5)
11		400-42366	THREAD TENSION DISK PRESSER	(5)
12		401-01602	THREAD TENSION DISC	(10)
13		401-02003	SPRING	(2)
14		700-01617	SPACER	(5)
15		700-01615	TENSION DISC EYELET A	(4)
16		700-01616	TENSION DISC EYELET B	(1)
17		700-01613	TENSION POST SUPPORT	(1)
18		700-01614	TENSION DISC SEPARATOR	(1)
19		SM-4041055-SP	SCREW	2
20		700-01618	PULL OFF LEVER ASSY	1
21		700-01621	THREAD GUIDE	1
22		SM-4040655-SP	SCREW M4 L=6	2
23		134-56108	PULL OFF BAR	1
24		134-56207	THD P O HOOK GUIDE	5
25		SM-8040360-TP	SCREW	5
26		SM-8030412-TP	SCREW	7
27		134-56603	THD PULL OFF HOOK	7
28		134-56405	THD PULL OFF BAR HOLDER	1
29		SM-8040360-TP	SCREW	1
30		RE-0300000-K0	E-RING 3	1

4. LOOPER THREAD TRIMMER COMPONENTS



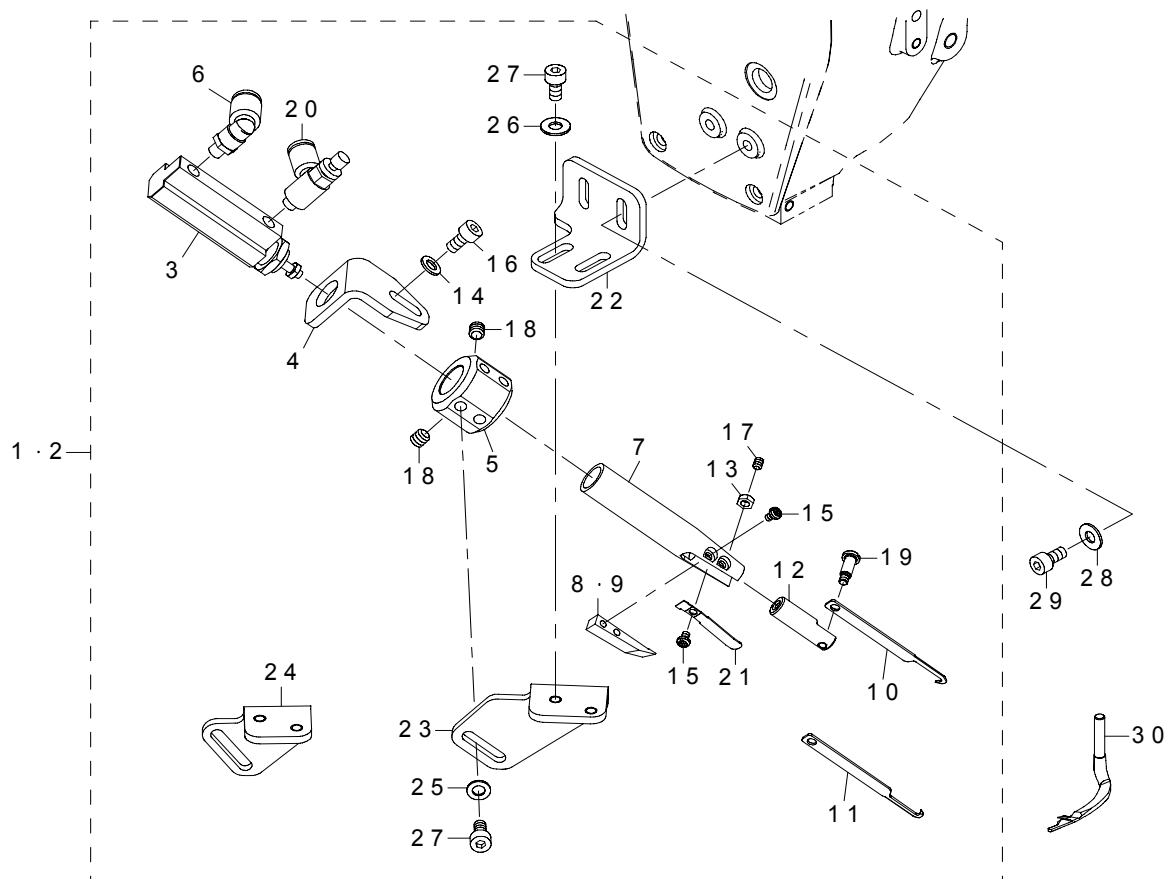
REF.NO	NOTE	PART NO	DESCRIPTION	Qty
1		700-01802	UNDER TRIMMER ASSY	1
2	#01	700-03424	UNDER_TRIMMER_ASSY_E11	1
3		400-86294	LEVER	(1)
4		400-86303	SCREW M4X0.5 L=4	(4)
5		400-86293	COLLAR D6	(4)
6		400-86295	CONNECTING BLOCK A	(1)
7		400-86296	CONNECTING BLOCK B	(1)
8		NM-6050001-SP	NUT M5X0.8 TYPE1	(2)
9		400-86275	LOWER KNIFE HOLDER	(1)
10		WP-0420516-KH	THRUST WASHER 4.2	(2)
11		400-70110	SCREW	(1)
12		400-86292	COLLAR D8	(1)
13		WP-0431005-SP	PLAIN WASHER	(1)
14		NM-6040001-SP	NUT M4X0.7 TYPE1	(1)
15		400-86274	LOWER KNIFE	(1)
16		400-86300	SCREW M2 L=2.3	(2)
17		700-01800	THREAD GUIDE	(1)
18	#01	700-03362	THREAD_GUIDE	(1)
19		400-86301	SCREW M2 L=3	(2)
20		400-86286	GUIDE SPRING	(1)
21		400-86300	SCREW M2 L=2.3	(2)
22		400-86282	PLATE	(1)
23		400-86280	THREAD CLAMP	(1)
24		SM-1020450-TP	SCREW M2 L=4	(2)
25		400-86308	TENSION LEVER	(1)
26		SM-6020350-SP	SCREW M2 L=2.5	(1)
27		400-86277	UPPER KNIFE	(1)
28		400-86278	LOWER KNIFE GUIDE	(1)
29		400-86279	KNIFE SPRING	(1)
30		400-86298	SCREW M1.6 L=6	(2)
31		400-86299	SCREW M2 L=10	(1)
32		134-40409	SPRING FOR UT	(1)
33		400-86290	STOPPER	(1)
34		400-86302	SCREW M3 L=3	(2)
35		TA-0980502-R0	RUBBER PLUG	(2)
36		700-01662	COVER PLATE	(1)
37		700-01801	KNIFE GUIDE HOLDER	(1)
38		700-01799	GUIDE BASE	1
39		SM-6040650-TP	SCREW	1
		NOTE	#01....FOR MF-7900-E11/E22,E23	

5. PNEUMATIC DRIVE & PRESSER FEED LIFTER COMPONENTS



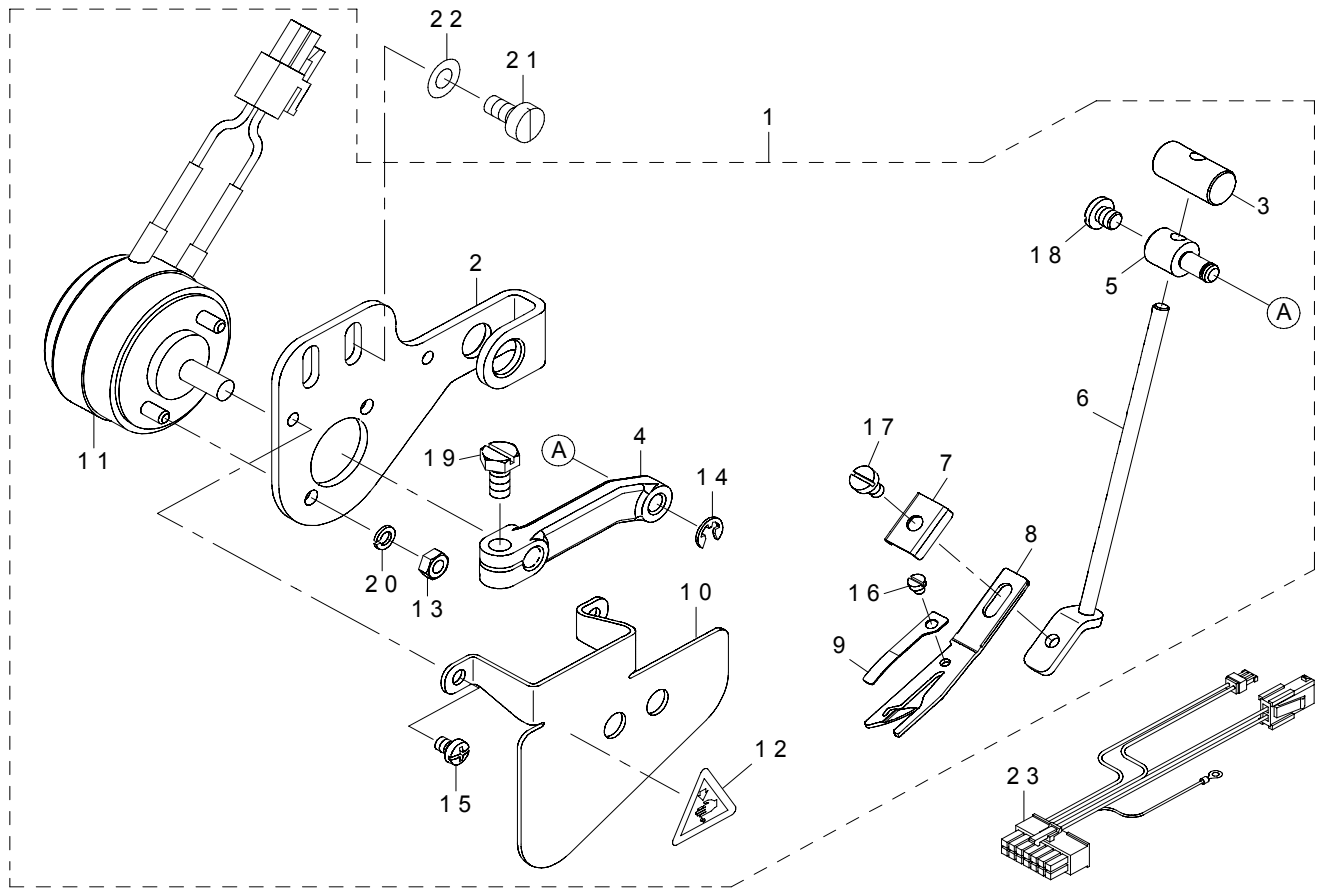
REF.NO	NOTE	PART NO	DESCRIPTION	Qty
1		134-42504	AIR CYLINDER BRACKET	1
2		400-72396	MANIFOLD VALVE ASSY	1
3		PV-0351610-00	MANIFOLD	(1)
4		PX-0551040-00	SILENCER	(2)
5		PJ-3040651-01	ELBOW UNION 6XPT1/8	(1)
6		PJ-0251000-02	PLUG R1/8	(3)
7		PJ-0251000-02	PLUG R1/8	(2)
8		PX-5000140-00	PLUG 4	2
9		SM-4043555-SP	SCREW	2
10		PA-2001802-A0	AIR CYLINDER	1
11		PC-0105080-00	SPEED CONTROLLER	2
12		134-43601	WASHER	1
13		134-42900	COLLAR	1
14		SM-6051002-TP	SCREW M5X0.8 L=10	1
15		134-43007	PLATE HOLDER	1
16		SM-6061202-TP	SCREW M6 L=12	1
17		SM-4040655-SP	SCREW M4 L=6	2
18		700-01776	SENSOR HOLDER	1
19		700-01778	SUPPORT PLATE UT	1
20		WP-0430800-SC	WASHER M4	2
21		SM-6040802-TP	SCREW M4X0.7 L=8	2
22		134-43205	SWITCH PLATE	1
23		SM-4040655-SP	SCREW M4 L=6	2
24		229-01805	GROUND MARK	1
25		134-43106	TENS RELEASE PLATE	1
26		134-42603	PLUNGER	1
27		134-42702	PIN	1
28		700-01777	SENSOR HOLDER	1
29		SM-4040655-SP	SCREW M4 L=6	2
30		SM-6061002-TP	SCREW M6 L=10	3
31		SM-4031001-SN	SCREW	1
32		700-01479	TENSION RELEASE LEVER	1
33		SM-6041202-TP	SCREW M4X0.7 L=12	1
34		SD-0700706-TP	SHOULDER SCREW D=7 H=7	1
35		400-21746	UNDER TRIMMER SENSOR CABLE ASM	1
36		BT-0400251-EB	URETHANE TUBE BLACK 4X2.5	0.27
37		BT-0400251-EB	URETHANE TUBE BLACK 4X2.5	0.32
38		BT-0400251-EB	URETHANE TUBE BLACK 4X2.5	0.08
39		BT-0400251-EB	URETHANE TUBE BLACK 4X2.5	0.08
40		BT-0400251-EB	URETHANE TUBE BLACK 4X2.5	0.42
41		BT-0400251-EB	URETHANE TUBE BLACK 4X2.5	0.23
42		BT-0400251-EB	URETHANE TUBE BLACK 4X2.5	0.63
43		BT-0400251-EB	URETHANE TUBE BLACK 4X2.5	0.3
44		BT-0400251-EB	URETHANE TUBE BLACK 4X2.5	0.22
45		PJ-3080400-06	UNION Y	2
46		PC-0124010-00	SPEED CONTROLLER	1
47		HX-0015000-0C	CABLE CLAMP	2
48		SM-4040655-SP	SCREW M4 L=6	2
49		EA-9500B01-00	CABLE BAND	3
50		400-27211	UNDER TRIMMER CABLE B ASM	1
51		400-27213	LIFT UP CABLE B ASM	1
52		WT-0430002-KN	WASHER M4	1
53		SM-4040501-SN	SCREW M4X0.7 L=5	1
54		HX-0015000-0B	CABLE CLAMP	1
55		SM-4040655-SP	SCREW M4 L=6	1
56		HX-0031400-00	SPIRAL TUBE	0.96
57		HX-0031400-0D	SPIRAL TUBE	0.12
58		HX-0031400-0D	SPIRAL TUBE	0.1
59		400-69703	SOLENOIDE COVER	1
60		SM-6050802-TP	SCREW M5X0.8 L=8	3
61		400-18079	PNEUMATIC P F LIFTER ASSY	1
62		PA-2503004-A0	AIR CYLINDER	(1)
63		134-55001	AIR CYLINDER BRACKET	(1)
64		134-55100	AIR CYLINDER CAP	(1)
65		PJ-3040451-02	ELBOW UNION C	(2)
66		WP-0621016-SD	WASHER 6.2X13X1	2
67		WS-0610002-KP	SPRING WASHER	2
68		SM-6061400-SP	SCREW M6 L=14	2

6. TOP COVER THREAD TRIMMER COMPONENTS (UT57,UT57A)



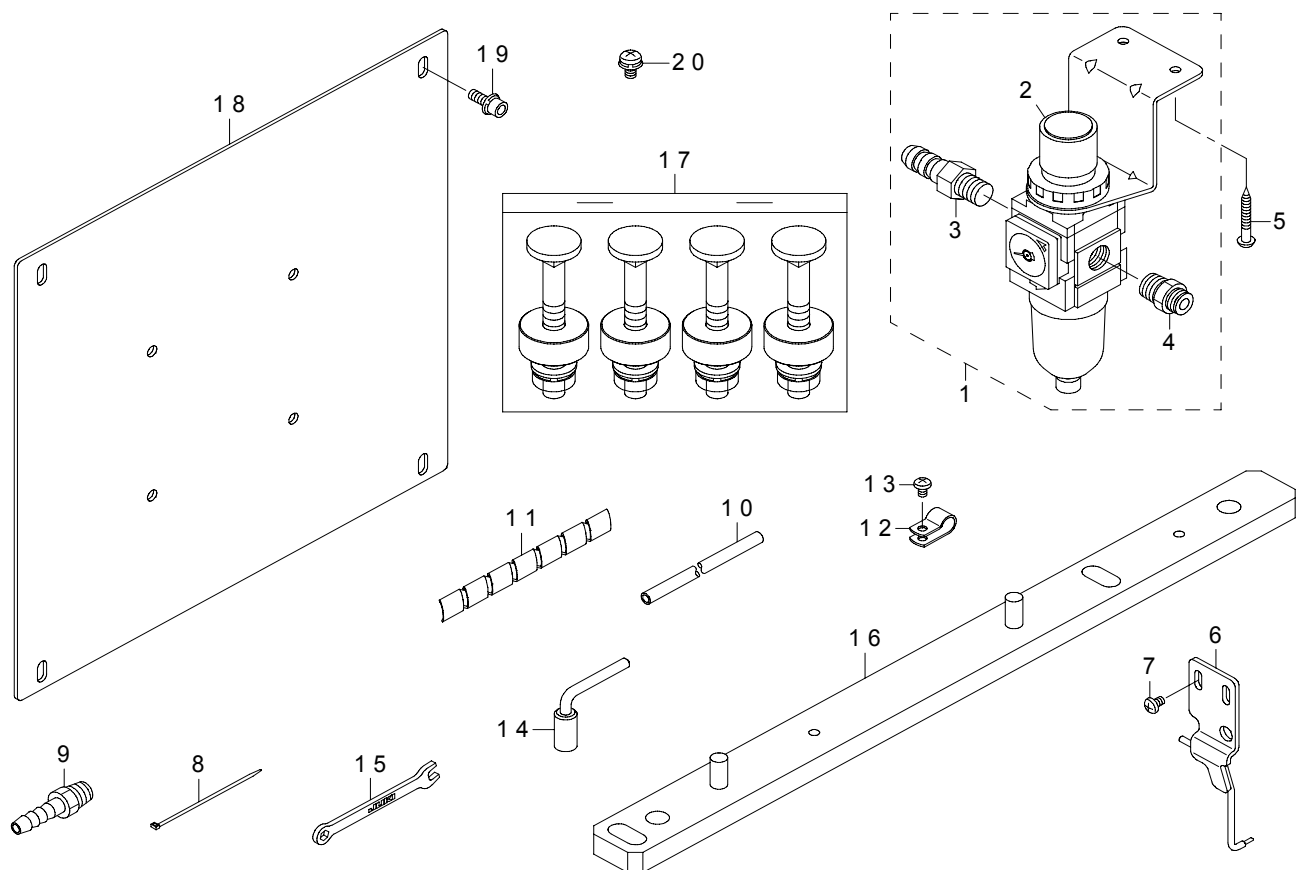
REF.NO	NOTE	PART NO	DESCRIPTION	Qty
1		700-01788	U_L_THREAD TRIMMER ASSY	1
2	#01	700-02246	U_L_THREAD TRIMMER ASSY(TURKEY)	1
3		PA-0602006-A0	AIR CYLINDER	(1)
4		134-59300	AIR CYLINDER BRACKET	(1)
5		134-58203	COLLAR	(1)
6		PJ-3040405-04	UNION	(1)
7		700-01781	KNIFE HOLDER	(1)
8		134-58500	LOWER KNIFE	(1)
9	#01	400-29004	FIXED KNIFE	(1)
10		400-65510	MOVING KNIFE	(1)
11	#01	700-01791	MOVING KNIFE	(1)
12		700-01780	MOVING KNIFE HOLDER	(1)
13		NM-6030250-SC	NUT M3X0.5 TYPE1	(1)
14		WP-0430800-SC	WASHER M4	(2)
15		SM-4850455-SP	SCREW	(3)
16		SM-6040802-TN	SCREW M4X0.7 L=8	(2)
17		SM-8030450-SP	SCREW M3 L=4	(1)
18		SM-8050512-TP	SCREW	(2)
19		700-01782	SHOULDER SCREW	(1)
20		PC-0105080-00	SPEED CONTROLLER	(1)
21		134-58401	SPRING	(1)
22		700-01783	BRACKET2	(1)
23		700-01784	BRACKET	(1)
24	#01	700-01790	BRACKET FOR TURKEY	(1)
25		WP-0430800-SC	WASHER M4	(2)
26		WP-0450826-SC	WASHER 4.5X10X0.8	(2)
27		SM-6040802-TN	SCREW M4X0.7 L=8	(4)
28		WP-0450826-SC	WASHER 4.5X10X0.8	2
29		SM-6040802-TN	SCREW M4X0.7 L=8	2
30	#01	700-01563	UPPER LOOPER	1
		NOTE	#01....FOR TURKEY (UT57A)	

7. NEEDLE THREAD WIPER COMPONENTS (UT55)



REF.NO	NOTE	PART NO	DESCRIPTION	Qty
1		400-31642	NEEDLE THREAD WIPER ASSY	1
2		400-31388	SOLENOID BRACKET	(1)
3		400-31390	WIPER BAR GUIDE	(1)
4		400-31391	SOLENOID LEVER	(1)
5		400-31392	SOLENOID LEVER PIN	(1)
6		400-31394	WIPER BAR ASSY	(1)
7		400-31396	WIPER HOLDER	(1)
8		400-31397	WIPER	(1)
9		400-31399	THD CLAMP SPRING	(1)
10		400-31402	SAFETY COVER	(1)
11		400-32661	ROTARY SOLENOID ASSY	(1)
12		CM-3002000-01	ATTENTION SEAL	(1)
13		NM-6030001-SN	NUT	(2)
14		RE-0300000-K0	E-RING 3	(1)
15		SM-4030455-SP	SCREW	(2)
16		SM-6020250-TP	SCREW.	(1)
17		SM-6030500-SN	SCREW M3 L=5	(1)
18		SM-6040450-TP	SCREW M4 L=4	(1)
19		SM-9040800-SP	SCREW	(1)
20		WS-0310002-KN	SPRING WASHER M3	(2)
21		SM-6040800-SP	SCREW	2
22		WP-0450826-SC	WASHER 4.5X10X0.8	2
23		400-34194	UT23_UT_CABLE_ASSY	1

8. ACCESSORIE PARTS COMPONENTS



REF.NO	NOTE	PART NO	DESCRIPTION	Qty
1		400-18052	FILTER REGULATOR ASSY	1
2		PF-0552070-C0	FILTER GEGULATOR	(1)
3		F1021-003-000	HOSE JOINT	(1)
4		PJ-3010652-01	HALF UNION 6XPT1/4	(1)
5		SK-3452001-SE	WOOD SCREW D=4.5 L=20	2
6	#02	700-01785	AIR BLOW TUBE ASSY	1
7		SM-4040655-SP	SCREW M4 L=6	2
8		EA-9500B01-00	CABLE BAND	3
9		PJ-0325260-01	HOSE NIPPLE	1
10		BT-0600401-EB	TUBE	2
11		HX-0031400-0A	SPIRAL TUBE	0.6
12		HX-0015000-0C	CABLE CLIP	1
13		SM-4040655-SP	SCREW M4 L=6	1
14		400-73360	WRENCH	1
15		131-60106	SPANNER (5X6)	1
16	#01	700-01843	SUPPORT PLATE ASSY	2
17	#01	400-26691	ASSY BOLT SET	1
18	#01	400-94198	SC BRACKET	1
19	#01	SL-6051492-TN	SCREW M5 L=14	4
20	#01	SL-4051091-SC	SCREW M5 L=10	4
		NOTE	#01.....FOR HALF-SUNKEN TYPE TABLE	
			#02.....FOR UT56	